



MODEL DB

BELT DRIVE CENTRIFUGAL ROOF EXHAUSTER



MODEL FEATURES

- Exhaust air up to 28,000 CFM in high static pressure applications up to 1-1/4" w.g.
- Attractive spun aluminum exterior
- Belt drives permit easy performance adjustments when needed
- Non-overloading backward inclined wheel for efficiency at higher static pressures
- AMCA Air and Sound Licensed
- cULus 705 Listed

APPLICATION CONSTRUCTION OPTIONS

MODEL NAME	TYPICAL APPLICATIONS
DB	Removal of clean air in general applications

MODEL OVERVIEW

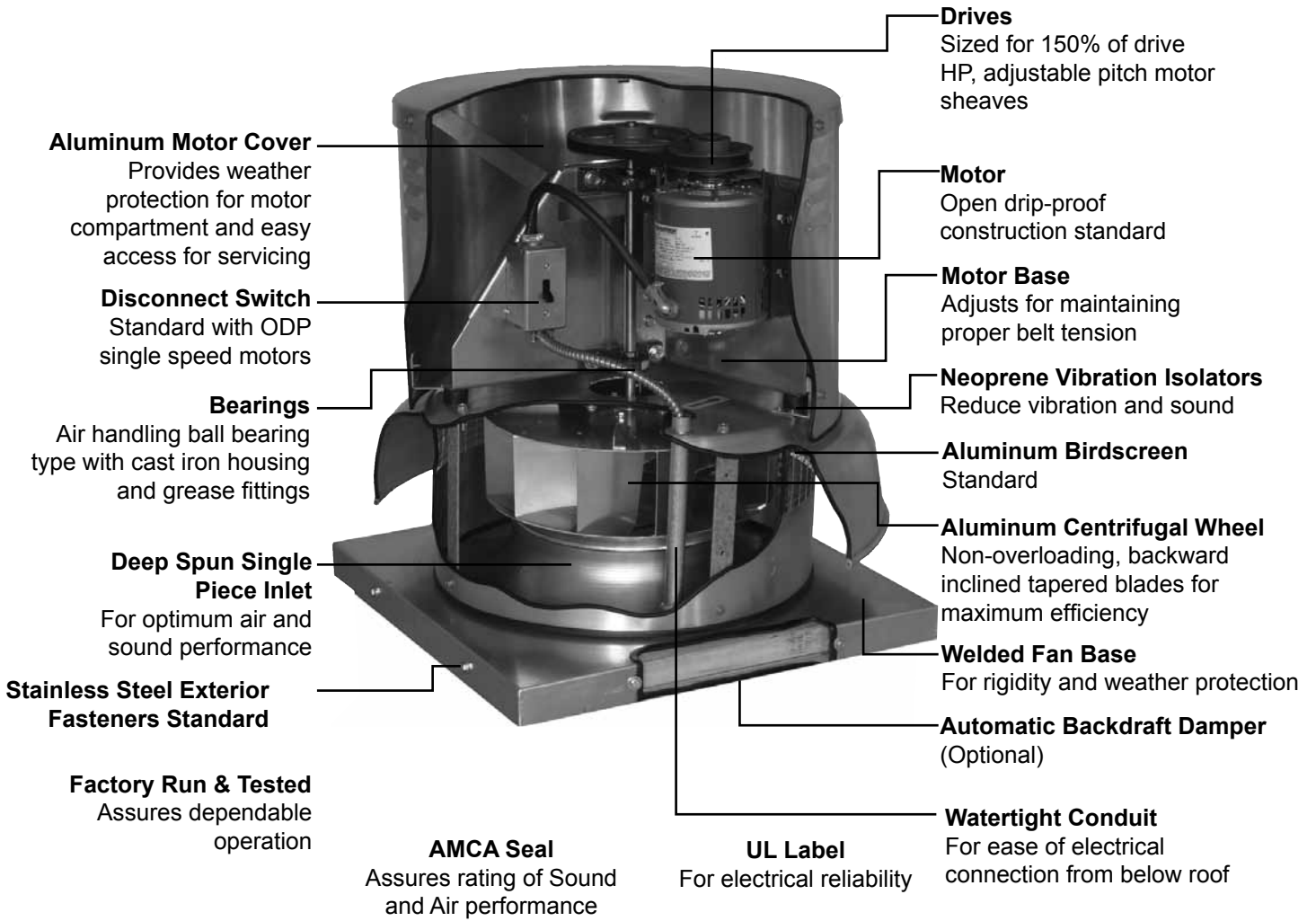
Model DB belt drive fans are designed to exhaust air up to 28,000 CFM in high static pressure applications to 1-1/4". The aluminum exterior provides an attractive appearance. Belt drive results in lower operating RPM and sound levels, making the Model DB well suited to applications where quiet operation is important. Belt drive also permits easy performance adjustments when needed to balance the total ventilation system. The non-overloading backward inclined wheel with its higher static pressure capability makes this unit suitable for either ducted or nonducted applications. It's roof mounting permits location near the area to be ventilated, allowing short duct runs and more efficient operation.

DBs are primarily used for the exhaust of relatively clean air from a wide range of commercial, industrial and institutional environments such as manufacturing and assembly plants, office buildings, schools, hospitals, restaurants, athletic facilities and many others

Industry best 5 year fan housing warranty, 1 year motor warranty



CONSTRUCTION FEATURES AND OPTIONS





CONSTRUCTION/SPECIFICATION CHECKLIST

Housing

- Curb cap with integral deep spun inlet for efficient performance.
- Heavy-gauge aluminum for extra strength.
- Designed for maximum weather protection and attractive appearance.
- Heavy-gauge motor support for rigidity and strength.
- Neoprene isolators for reduction of vibration and sound.
- Quick-Release latches on motor cover for easy access to motor compartment.
- Water tight conduit tube for easy electrical connection from below roof.
- Aluminum birdscreen standard.
- Stainless steel fasteners on exterior.

Centrifugal Wheel

- All aluminum wheel.
- Backward inclined for efficiency at higher static pressure.
- Non-overloading for safe operation in ducted systems.
- Tapered blades for efficiency and quiet operation.
- Heavy aluminum hub for extra strength.
- Statically and dynamically balanced for smooth operation.

Motors

- 1 year warranty.
- Brands are nationally recognized and locally serviced.
- Single speed open drip-proof are standard.
- Explosion-proof, totally enclosed and two-speed motors are available.
- All motors are rated for continuous duty.
- 182T and larger motors shipped unmounted for field installation.
- Disconnect switch standard on single speed drip-proof and totally enclosed motors.

Drives

- Sized for minimum 150% of drive horsepower.
- Machined cast iron adjustable motor pulleys.
- Adjustable base for belt tensioning.
- Non-static oil resistant V-Belts.

Bearings

- Heavy-duty ball bearing type.
- Pre-lubricated and permanently sealed.
- 5 year warranty.

AMCA Seal

- Assures accuracy of Air and Sound Performance.

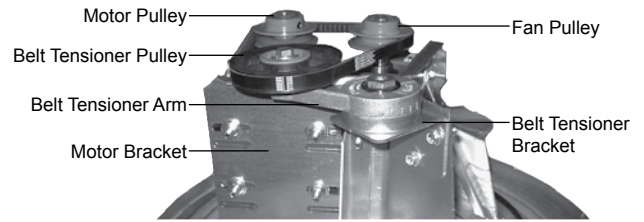
cULus Label

- cULus 705 listing assures electrical safety and reliability.
- cULus 705 must be specified when required.



OPTIONS/ACCESSORIES

Automatic Belt Tensioner: Available on sizes 6-24, The Automatic Belt Tensioners eliminate the need for regular manual retensioning of drives, and the risk of inadvertently over-tensioning drive components is avoided and overall drive operating efficiency is enhanced. Benefits include reduction in startup and maintenance costs, increased belt life, increased drive efficiency, and ensure drive components do not snag obstructions.



Roof Curb: Prefabricated heavy-gauge galvanized steel, clip lock, 14" high (other heights are also available) with 1-1/2" wood nailer. Assures perfect fit of exhauster to roof opening. Options include burglar bars, single or double pitch construction and hinged curbs for easy duct access. Welded & custom curbs available.

Sound Curb: Option of thermal acoustical lining or a complete maximum sound attenuating baffle system. Provision for mounting damper is available. Contact factory for information regarding effect on exhauster air performance and sound level.

Motor Operated Damper: Motor operated aluminum damper for positive closure against backdraft.

Automatic Damper: Automatic aluminum damper for ease in installation and effective backdraft protection.

Companion Gravity Units: Model RCX-II comes in a wide range of sizes and air capacities to provide relief or intake air to the system. Curbs and dampers are available to fit all sizes. Spun aluminum hoods provide a pleasing appearance, complementing the Model DB exhauster.



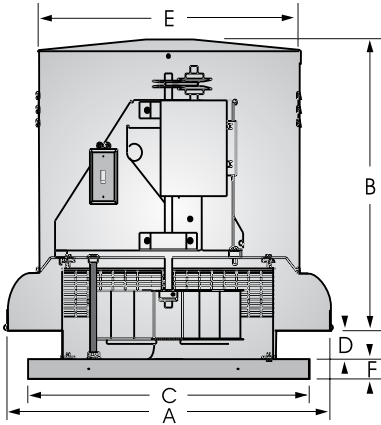
Special Coatings: Powered roof exhausters often require special coatings for protective and decorative purposes. Available coatings include: Synthetic Resin, Epoxy, and Heresite (air-dried phenolic). Contact your representative or the factory for more information on available coatings and colors.

Curb Hinge Arrangement: The curb hinge arrangement provides easy access to the exhaust fan, backdraft damper, and duct for servicing and cleaning.



PERFORMANCE/DIMENSIONS

SIZE 6



Damper OD	Roof Opening	Curb OD	A	B	C	D	E	F	Fan Wt	Ship Wt
11	11-1/2	14-3/4	20 -1/2	17-1/2	16-1/2	3-1/2	16-1/8	1-3/4	43	80

CFM / BHP @ Static Pressure / Sones											Drive Range	RPM	HP	Tip Speed		
0	1/8	1/4	3/8	1/2	5/8	3/4	7/8	1	1-1/4	Catalog Number						
230	108	-	-	-	-	-	-	-	-	601	DP1	700	1/4	2058		
.01/1.3	.01/0.7	-	-	-	-	-	-	-	-	602		750	1/4	2205		
246	140	-	-	-	-	-	-	-	-	603		800	1/4	2352		
.02/1.7	.02/1.1	-	-	-	-	-	-	-	-	604		850	1/4	2500		
263	166	-	-	-	-	-	-	-	-	605		900	1/4	2647		
.02/2.1	.02/1.5	-	-	-	-	-	-	-	-	606		950	1/4	2794		
279	190	-	-	-	-	-	-	-	-	607		DP2	1000	1/4	2941	
.02/2.5	.02/1.9	-	-	-	-	-	-	-	-	608			1050	1/4	3088	
295	213	-	-	-	-	-	-	-	-	609			1100	1/4	3235	
.03/2.9	.03/2.3	-	-	-	-	-	-	-	-	610			1150	1/4	3382	
312	236	122	-	-	-	-	-	-	-	611			1200	1/4	3529	
.03/3.3	.03/2.8	.03/2.2	-	-	-	-	-	-	-	612			1250	1/4	3676	
328	257	160	-	-	-	-	-	-	-	613			DP3	1300	1/4	3823
.04/3.6	.04/3.1	.04/2.6	-	-	-	-	-	-	-	614				1350	1/4	3970
345	278	192	-	-	-	-	-	-	-	615				1400	1/4	4117
.04/4.0	.04/3.5	.04/3.0	-	-	-	-	-	-	-	616	1450			1/4	4264	
361	298	219	-	-	-	-	-	-	-	617	DP4	1500		1/4	4411	
.05/4.3	.05/3.8	.05/3.4	-	-	-	-	-	-	-	618		1550		1/4	4558	
377	318	244	137	-	-	-	-	-	-	619		1600		1/4	4705	
.06/4.7	.06/4.2	.06/3.8	.05/3.3	-	-	-	-	-	-	620		1650		1/4	4852	
394	337	268	178	-	-	-	-	-	-	621		DP5		1700	1/4	4999
.06/5.2	.06/4.7	.07/4.3	.06/3.8	-	-	-	-	-	-	622				1750	1/4	5146
410	356	291	213	-	-	-	-	-	-	623			1800	1/4	5293	
.07/5.6	.07/5.2	.07/4.8	.07/4.3	-	-	-	-	-	-	624			1850	1/4	5440	
427	375	314	243	131	-	-	-	-	-	625			1900	1/4	5587	
.08/6.1	.08/5.6	.08/5.2	.08/4.8	.07/4.3	-	-	-	-	-	626			1950	1/4	5734	
443	394	336	269	178	-	-	-	-	-	627	2000		1/4	5881		
.09/6.5	.09/6.1	.09/5.7	.09/5.3	.09/4.8	-	-	-	-	-	628	2050		1/4	6028		
459	412	358	295	217	-	-	-	-	-	629	2100		1/4	6175		
.10/7.0	.10/6.6	.10/6.2	.10/5.8	.10/5.3	-	-	-	-	-	630	2150		1/4	6322		
476	431	379	319	250	143	-	-	-	-	631	DP6	2200	1/4	6469		
.11/7.5	.11/7.1	.11/6.7	.11/6.3	.11/5.8	.10/5.4	-	-	-	-	632		2250	1/4	6616		
492	449	399	342	279	191	-	-	-	-	633		2300	1/4	6763		
.12/8.0	.12/7.6	.13/7.2	.13/6.8	.13/6.4	.12/6.0	-	-	-	-	634		2350	1/4	6910		
509	467	420	365	307	231	115	-	-	-	635		2400	1/4	7057		
.13/8.5	.14/8.1	.14/7.7	.14/7.3	.14/6.9	.13/6.5	.12/6.1	-	-	-	636		2450	1/4	7204		
525	485	439	388	332	266	169	-	-	-	637		2500	1/4	7351		
.15/9.0	.15/8.6	.15/8.2	.15/7.9	.15/7.5	.15/7.0	.14/6.6	-	-	-	638		2550	1/4	7498		
541	503	459	410	356	297	215	-	-	-	639		2600	1/4	7645		
.16/9.6	.17/9.2	.17/8.8	.17/8.4	.17/8.0	.17/7.6	.16/7.2	-	-	-	640		2650	1/4	7792		
558	521	478	432	380	325	255	153	-	-	641	2700	1/4	7939			
.18/10.1	.18/9.7	.18/9.4	.18/9.0	.18/8.6	.18/8.2	.18/7.8	.16/7.4	-	-	642	2750	1/4	8086			
574	539	497	453	403	352	289	203	-	-	643	2800	1/4	8233			
.19/10.7	.20/10.3	.20/9.9	.20/9.6	.20/9.2	.20/8.8	.20/8.4	.19/8.0	-	-	644	2850	1/4	8380			

Power Ratings (BHP) does not include drive losses.
Performance certified is for installation type A - free inlet, free outlet.
Performance ratings include the effects of birdscreen in the airstream.
The sound ratings shown are loudness values in fan sones @ 5' (1.5m) in a hemispherical free field calculated per AMCA Standard 301. Values shown are for: Installation Type A: free inlet hemispherical sone levels.



S&P, Div. of Soler & Palau Ventilation Group, certifies that the Models DB shown herein are licensed to bear the AMCA Seal. The ratings shown are based on test and procedures performed in accordance with AMCA Publication 211 and AMCA Publication 311 and comply with the requirement of the AMCA Certified Ratings Program.

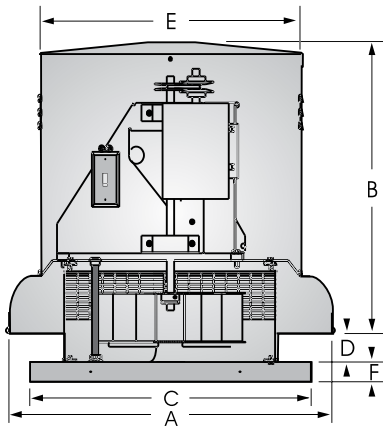




MODEL DB
BELT DRIVE CENTRIFUGAL ROOF EXHAUSTER



SIZE 8



Damper OD	Roof Opening	Curb OD	A	B	C	D	E	F	Fan Wt	Ship Wt
11	11-1/2	14-3/4	20 -1/2	17-1/2	16-1/2	3-1/2	16-1/8	1-3/4	42	80

CFM / BHP @ Static Pressure / Sones											Drive Range	RPM	HP	Tip Speed
0	1/8	1/4	3/8	1/2	5/8	3/4	7/8	1	1-1/4	Catalog Number				
478	-	-	-	-	-	-	-	-	-	801	DP1	650	1/4	1911
.01/1.9	-	-	-	-	-	-	-	-	-	802		690	1/4	2029
508	252	-	-	-	-	-	-	-	-	803		750	1/4	2205
.01/2.2	.02/1.2	-	-	-	-	-	-	-	-	804		810	1/4	2382
552	338	-	-	-	-	-	-	-	-	805		870	1/4	2558
.02/2.8	.02/1.7	-	-	-	-	-	-	-	-	806		930	1/4	2735
596	408	-	-	-	-	-	-	-	-	807		990	1/4	2911
.02/3.3	.03/2.2	-	-	-	-	-	-	-	-	808		1050	1/4	3088
640	470	-	-	-	-	-	-	-	-	809		1110	1/4	3264
.03/3.8	.03/2.8	-	-	-	-	-	-	-	-	810		1170	1/4	3441
684	528	266	-	-	-	-	-	-	-	811	1230	1/4	3617	
.04/4.4	.04/3.4	.04/2.7	-	-	-	-	-	-	-	812	1290	1/4	3793	
728	586	380	-	-	-	-	-	-	-	813	1350	1/4	3970	
.04/4.9	.05/4.0	.05/3.2	-	-	-	-	-	-	-	814	1410	1/4	4146	
772	643	465	-	-	-	-	-	-	-	815	1470	1/4	4323	
.05/5.4	.06/4.5	.06/3.8	-	-	-	-	-	-	-	816	1530	1/4	4499	
816	696	538	249	-	-	-	-	-	-	817	1590	1/4	4676	
.06/5.9	.07/5.2	.07/4.4	.06/3.8	-	-	-	-	-	-	818	1650	1/4	4852	
861	747	604	391	-	-	-	-	-	-	819	1700	1/4	4999	
.07/6.5	.08/5.8	.08/5.1	.08/4.4	-	-	-	-	-	-	820	1760	1/3	5175	
905	798	664	492	-	-	-	-	-	-	821	1820	1/3	5352	
.08/7.0	.09/6.4	.10/5.8	.09/5.1	-	-	-	-	-	-	822	1870	1/3	5499	
949	847	723	575	312	-	-	-	-	-					
.09/7.6	.10/7.0	.11/6.4	.11/5.8	.10/5.1	-	-	-	-	-					
993	896	781	648	450	-	-	-	-	-					
.11/8.3	.12/7.6	.12/7.1	.13/6.5	.12/5.8	-	-	-	-	-					
1037	945	839	715	553	249	-	-	-	-					
.12/8.9	.13/8.3	.14/7.7	.14/7.2	.14/6.5	.12/6.0	-	-	-	-					
1081	994	895	777	638	420	-	-	-	-					
.14/9.5	.15/9.0	.16/8.4	.16/7.8	.16/7.2	.15/6.7	-	-	-	-					
1125	1041	949	837	714	542	-	-	-	-					
.16/10.3	.17/9.6	.18/9.1	.18/8.6	.18/8.0	.18/7.4	-	-	-	-					
1170	1089	1001	895	783	639	409	-	-	-					
.18/11.0	.19/10.4	.20/9.8	.20/9.3	.21/8.7	.20/8.1	.18/7.5	-	-	-					
1214	1136	1053	953	849	722	545	-	-	-					
.20/11.7	.21/11.1	.22/10.6	.23/10.0	.23/9.5	.23/8.9	.22/8.3	-	-	-					
1250	1176	1095	1002	900	785	634	394	-	-					
.22/12.4	.23/11.8	.24/11.2	.25/10.7	.25/10.2	.25/9.5	.25/8.9	.22/8.4	-	-					
1295	1223	1145	1059	960	856	726	543	-	-					
.24/13.1	.25/12.6	.26/12.0	.27/11.4	.28/10.9	.28/10.4	.28/9.7	.26/9.2	-	-					
1339	1269	1195	1114	1018	922	807	658	429	-					
.27/13.9	.28/13.3	.29/12.8	.30/12.3	.31/11.7	.31/11.2	.31/10.6	.30/10.0	.27/9.5	-					
1375	1308	1236	1159	1066	975	870	739	555	-					
.29/14.5	.30/14.0	.32/13.4	.32/13.0	.33/12.5	.33/12.0	.33/11.3	.33/10.7	.31/10.2	-					

Power Ratings (BHP) does not include drive losses.
 Performance certified is for installation type A - free inlet, free outlet.
 Performance ratings include the effects of birdscreen in the airstream.
 The sound ratings shown are loudness values in fan sones @ 5' (1.5m) in a hemispherical free field calculated per AMCA Standard 301. Values shown are for Installation Type A: free inlet hemispherical sone levels.



S&P, Div. of Soler & Palau Ventilation Group, certifies that the Models DB shown herein are licensed to bear the AMCA Seal. The ratings shown are based on test and procedures performed in accordance with AMCA Publication 211 and AMCA Publication 311 and comply with the requirement of the AMCA Certified Ratings Program.

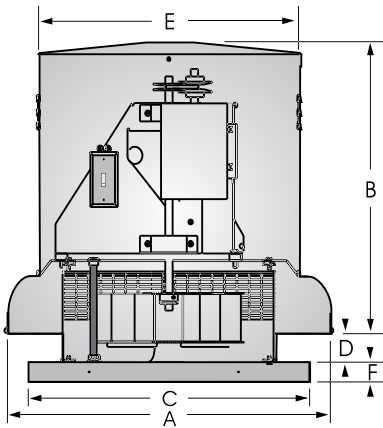




MODEL DB
BELT DRIVE CENTRIFUGAL ROOF EXHAUSTER



SIZE 9



Damper OD	Roof Opening	Curb OD	A	B	C	D	E	F	Fan Wt	Ship Wt
11	11-1/2	14-3/4	20 -1/2	17-1/2	16-1/2	3-1/2	16-1/8	1-3/4	44	80

CFM / BHP @ Static Pressure / Sones										Catalog Number	Drive Range	RPM	HP	Tip Speed
0	1/8	1/4	3/8	1/2	5/8	3/4	7/8	1	1-1/4					
694	467	-	-	-	-	-	-	-	-	901	DP6	710	1/4	2277
.04/3.8	.03/2.6	-	-	-	-	-	-	-	-	902		750	1/4	2405
734	525	-	-	-	-	-	-	-	-	903		790	1/4	2534
.04/4.3	.04/3.1	-	-	-	-	-	-	-	-	904		830	1/4	2662
773	580	-	-	-	-	-	-	-	-	905		870	1/4	2790
.05/4.8	.05/3.6	-	-	-	-	-	-	-	-	906		910	1/4	2918
812	633	360	-	-	-	-	-	-	-	907		950	1/4	3047
.06/5.4	.05/4.2	.05/3.5	-	-	-	-	-	-	-	908		990	1/4	3175
851	683	439	-	-	-	-	-	-	-	909		1030	1/4	3303
.06/5.9	.06/4.8	.05/4.0	-	-	-	-	-	-	-	910		1070	1/4	3432
890	733	511	-	-	-	-	-	-	-	911	1110	1/4	3560	
.07/6.5	.07/5.5	.07/4.6	-	-	-	-	-	-	-	912	1150	1/4	3688	
929	781	577	-	-	-	-	-	-	-	913	1190	1/4	3816	
.08/7.0	.08/6.1	.08/5.1	-	-	-	-	-	-	-	914	1230	1/4	3945	
968	828	640	-	-	-	-	-	-	-	915	1270	1/4	4073	
.10/7.6	.09/6.7	.09/5.9	-	-	-	-	-	-	-	916	1310	1/4	4201	
1007	874	699	469	-	-	-	-	-	-	917	1350	1/4	4330	
.11/8.2	.10/7.4	.10/6.5	.09/6.0	-	-	-	-	-	-	918	1390	1/4	4458	
1046	919	756	546	-	-	-	-	-	-	919	1420	1/4	4554	
.12/8.8	.12/8.1	.11/7.3	.10/6.5	-	-	-	-	-	-	920	1470	1/3	4714	
1086	964	811	618	-	-	-	-	-	-	921	1510	1/3	4843	
.13/9.5	.13/8.9	.13/8.0	.12/7.2	-	-	-	-	-	-	922	1550	1/3	4971	
1125	1008	864	685	-	-	-	-	-	-					
.15/10.2	.15/9.6	.14/8.8	.13/8.0	-	-	-	-	-	-					
1164	1052	916	749	543	-	-	-	-	-					
.17/10.9	.16/10.3	.16/9.6	.15/8.8	.14/8.2	-	-	-	-	-					
1203	1096	966	810	621	-	-	-	-	-					
.18/11.6	.18/11.1	.18/10.4	.17/9.7	.16/8.8	-	-	-	-	-					
1242	1139	1015	868	693	-	-	-	-	-					
.20/12.2	.20/11.7	.19/11.1	.19/10.4	.18/9.6	-	-	-	-	-					
1281	1182	1064	925	761	565	-	-	-	-					
.22/12.7	.22/12.2	.21/11.7	.21/11.0	.20/10.2	.18/9.8	-	-	-	-					
1320	1224	1112	980	827	646	-	-	-	-					
.24/13.2	.24/12.8	.23/12.2	.23/11.6	.22/10.8	.20/10.2	-	-	-	-					
1359	1267	1159	1034	889	721	-	-	-	-					
.26/13.8	.26/13.4	.26/12.9	.25/12.2	.24/11.5	.23/10.7	-	-	-	-					
1389	1298	1193	1073	935	775	587	-	-	-					
.28/14.2	.28/13.8	.27/13.3	.27/12.7	.26/11.9	.25/11.2	.22/11.0	-	-	-					
1438	1351	1251	1137	1008	860	690	-	-	-					
.31/14.9	.31/14.5	.30/14.1	.30/13.4	.29/12.8	.28/12.0	.26/11.6	-	-	-					
1477	1393	1296	1188	1065	925	767	-	-	-					
.34/15.5	.33/15.1	.33/14.7	.33/14.0	.32/13.5	.31/12.7	.29/12.1	-	-	-					
1516	1434	1341	1237	1120	988	839	669	-	-					
.37/16.2	.36/15.7	.36/15.3	.35/14.7	.35/14.2	.34/13.5	.32/12.7	.29/12.6	-	-					

Power Ratings (BHP) does not include drive losses.
Performance certified is for installation type A - free inlet, free outlet.
Performance ratings include the effects of birdscreen in the airstream.
The sound ratings shown are loudness values in fan sones @ 5' (1.5m) in a hemispherical free field calculated per AMCA Standard 301. Values shown are for: Installation Type A: free inlet hemispherical sone levels.



S&P Div. of Soler & Palau Ventilation Group, certifies that the Models DB shown herein are licensed to bear the AMCA Seal. The ratings shown are based on test and procedures performed in accordance with AMCA Publication 211 and AMCA Publication 311 and comply with the requirement of the AMCA Certified Ratings Program.

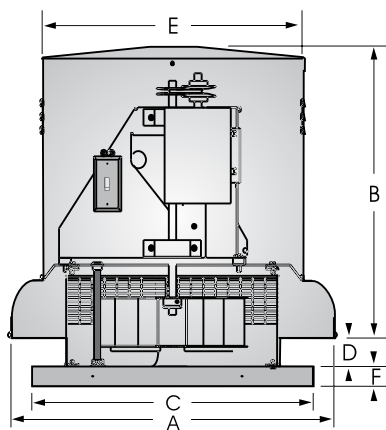




MODEL DB
BELT DRIVE CENTRIFUGAL ROOF EXHAUSTER



SIZE 11



Damper OD	Roof Opening	Curb OD	A	B	C	D	E	F	Fan Wt	Ship Wt
18	19-1/2	22-1/4	28-3/8	23	24	3-1/2	22-1/2	2	64	130

CFM / BHP @ Static Pressure / Sones											Drive Range	RPM	HP	Tip Speed
0	1/8	1/4	3/8	1/2	5/8	3/4	7/8	1	1-1/4	Catalog Number				
771 .02/3.8	508 .03/2.8	-	-	-	-	-	-	-	-	1101	DP11	670	1/4	2275
846 .03/4.6	613 .03/3.7	-	-	-	-	-	-	-	-	1102		735	1/4	2489
921 .04/5.5	711 .04/4.7	436 .04/4.0	-	-	-	-	-	-	-	1103		800	1/4	2703
996 .05/6.4	804 .05/5.8	571 .06/4.8	-	-	-	-	-	-	-	1104		865	1/4	2918
1070 .06/7.4	894 .07/6.8	688 .07/6.0	405 .06/5.7	-	-	-	-	-	-	1105		930	1/4	3132
1145 .07/8.4	982 .08/7.8	796 .08/7.1	568 .08/6.6	-	-	-	-	-	-	1106		995	1/4	3346
1214 .08/9.4	1062 .09/8.8	890 .1/8.2	691 .1/7.5	406 .09/7.5	-	-	-	-	-	1107		1055	1/4	3561
1289 .1/10.6	1146 .11/10	988 .12/9.5	810 .12/8.7	590 .12/8.5	-	-	-	-	-	1108		1120	1/4	3775
1364 .12/11.8	1230 .13/11.3	1083 .14/10.8	921 .14/10.1	732 .14/9.5	473 .13/9.5	-	-	-	-	1109		1185	1/4	3989
1450 .14/13.1	1325 .15/12.6	1188 .16/12.2	1041 .17/11.4	876 .17/10.8	678 .17/10.6	348 .13/10.6	-	-	-	1110		1260	1/4	4203
1508 .16/13.8	1388 .17/13.3	1258 .18/12.9	1118 .19/12.3	965 .19/11.7	788 .19/11.3	557 .18/11.3	-	-	-	1111	1310	1/4	4418	
1571 .18/14.7	1456 .19/14.3	1332 .2/13.8	1200 .21/13.3	1058 .22/12.6	898 .22/12	707 .21/12	402 .17/12	-	-	1112	1365	1/4	4632	
1623 .2/15.5	1512 .21/15	1393 .22/14.6	1266 .23/14	1131 .24/13.4	982 .24/12.8	810 .24/12.6	586 .22/12.6	-	-	1113	1410	1/4	4846	
1698 .23/16.6	1592 .24/16.2	1479 .25/15.7	1360 .26/15.3	1233 .27/14.6	1096 .28/14	944 .28/13.5	765 .27/13.5	508 .23/13.5	-	1114	1475	1/4	5061	
1755 .25/17.6	1654 .26/17.1	1545 .28/16.7	1430 .29/16.3	1310 .30/15.7	1181 .31/15	1040 .31/14.5	880 .3/14.3	680 .28/14.3	-	1115	1525	1/3	5225	
1824 .28/18.8	1727 .30/18.3	1623 .31/17.9	1513 .32/17.5	1399 .33/17	1278 .34/16.3	1148 .34/15.8	1004 .34/15.4	837 .33/15.4	-	1116	1585	1/3	5390	
1870 .30/19.7	1776 .32/19.2	1674 .33/18.8	1568 .35/18.3	1458 .36/17.9	1341 .37/17.2	1217 .37/16.7	1081 .37/16.2	929 .36/16.1	437 .28/16.1	1117	1625	1/3	5555	
1939 .34/21	1849 .35/21	1751 .37/20	1650 .38/19.6	1544 .4/19.2	1434 .41/18.6	1317 .41/18	1192 .41/17.5	1054 .41/17.3	699 .37/17.3	1118	1685	1/2	5720	
1980 .36/22	1891 .38/21	1795 .39/21	1697 .41/20	1594 .42/20	1487 .43/19.4	1374 .44/18.8	1254 .44/18.3	1123 .44/18	803 .41/18	1119	1720	1/2	5885	
2095 .43/24	2012 .44/24	1922 .46/23	1829 .48/23	1734 .49/22	1634 .50/22	1531 .51/21	1423 .52/21	1307 .52/20	1045 .51/20	1120	1820	1/2	6050	
2129 .45/25	2048 .46/24	1959 .48/24	1869 .50/24	1775 .51/23	1678 .53/23	1577 .54/22	1471 .54/22	1360 .55/21	1109 .54/21	1121	1850	1/2	6214	

Power Ratings (BHP) does not include drive losses.
 Performance certified is for installation type A - free inlet, free outlet.
 Performance ratings include the effects of birdscreen in the airstream.
 The sound ratings shown are loudness values in fan sones @ 5' (1.5m) in a hemispherical free field calculated per AMCA Standard 301. Values shown are for: Installation Type A: free inlet hemispherical sone levels.



S&P Div. of Soler & Palau Ventilation Group, certifies that the Models DB shown herein are licensed to bear the AMCA Seal. The ratings shown are based on test and procedures performed in accordance with AMCA Publication 211 and AMCA Publication 311 and comply with the requirement of the AMCA Certified Ratings Program.

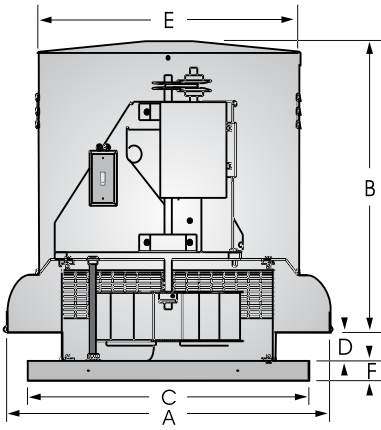




MODEL DB
BELT DRIVE CENTRIFUGAL ROOF EXHAUSTER



SIZE 12



Damper OD	Roof Opening	Curb OD	A	B	C	D	E	F	Fan Wt	Ship Wt
18	19-1/2	22-1/4	28-3/8	23	24	3-1/2	22-1/2	2	65	130

CFM / BHP @ Static Pressure / Sones											Drive Range	RPM	HP	Tip Speed
0	1/8	1/4	3/8	1/2	5/8	3/4	7/8	1	1-1/4	Catalog Number				
959	692	-	-	-	-	-	-	-	-	1201	DP15	640	1/4	2371
.03/3.7	.03/3.0	-	-	-	-	-	-	-	-	1202		690	1/4	2556
1034	792	399	-	-	-	-	-	-	-	1203		740	1/4	2742
.03/4.3	.04/3.8	.04/2.8	-	-	-	-	-	-	-	1204		790	1/4	2927
1109	889	576	-	-	-	-	-	-	-	1205		840	1/4	3112
.04/5.0	.05/4.5	.05/3.5	-	-	-	-	-	-	-	1206		890	1/4	3297
1184	982	719	-	-	-	-	-	-	-	1207		940	1/4	3483
.05/5.7	.06/5.2	.06/4.2	-	-	-	-	-	-	-	1208		990	1/4	3668
1259	1072	839	467	-	-	-	-	-	-	1209		1040	1/4	3853
.06/6.4	.07/5.9	.08/5.1	.07/4.2	-	-	-	-	-	-	1210		1090	1/4	4038
1334	1159	947	653	-	-	-	-	-	-	1211		1140	1/4	4224
.07/7.0	.08/6.6	.09/6.0	.09/4.9	-	-	-	-	-	-	1212		1190	1/4	4409
1409	1244	1049	805	390	-	-	-	-	-	1213		1240	1/4	4594
.08/7.6	.09/7.2	.10/6.8	.11/5.8	.08/4.9	-	-	-	-	-	1214		1280	1/4	4742
1484	1329	1148	937	621	-	-	-	-	-	1215		1320	1/3	4891
.10/8.3	.11/7.9	.12/7.5	.13/6.6	.12/5.7	-	-	-	-	-	1216		1360	1/3	5039
1559	1412	1244	1052	794	369	-	-	-	-	1217		1390	1/3	5150
.11/9.0	.13/8.6	.14/8.3	.14/7.5	.14/6.6	.11/5.8	-	-	-	-	1218		1440	1/2	5335
1634	1494	1339	1160	943	627	-	-	-	-	1219		1480	1/2	5483
.13/9.7	.14/9.3	.16/9.0	.16/8.5	.17/7.5	.15/6.6	-	-	-	-	1220	1520	1/2	5632	
1709	1576	1430	1262	1075	813	409	-	-	-	1221	1560	1/2	5780	
.15/10.4	.16/10.1	.18/9.8	.19/9.5	.19/8.4	.18/7.5	.14/6.7	-	-	-	1222	1600	1/2	5928	
1784	1657	1519	1362	1191	971	669	-	-	-	1223	1640	1/2	6076	
.17/11.2	.18/10.9	.20/10.6	.21/10.3	.22/9.4	.22/8.4	.19/7.6	-	-	-	1224	1680	1/2	6224	
1859	1737	1607	1459	1300	1113	495	-	-	-	1225	1720	1/2	6372	
.19/12.0	.21/11.7	.22/11.4	.24/11.1	.24/10.5	.25/9.4	.24/8.5	.19/7.8	-	-	1226	1760	1/2	6520	
1919	1801	1676	1536	1383	1215	992	699	-	-	1227	1800	1/2	6668	
.21/12.7	.23/12.3	.24/12.1	.26/11.8	.27/11.4	.27/10.3	.27/9.3	.24/8.5	-	-	1228	1840	1/2	6816	
1979	1865	1744	1611	1465	1308	1112	861	495	-	1229	1880	1/2	6964	
.23/13.2	.25/13.1	.26/12.7	.28/12.5	.29/12.2	.30/11.2	.30/10.2	.28/9.3	.22/8.6	-	1230	1920	1/2	7112	
2039	1929	1812	1686	1545	1397	1223	999	709	-	1231	1960	1/2	7260	
.25/13.9	.27/13.6	.29/13.5	.30/13.1	.32/12.9	.32/12.1	.33/11.0	.31/10.1	.28/9.3	-	1232	2000	1/2	7408	
2084	1976	1862	1740	1603	1461	1301	1094	839	-	1233	2040	1/2	7556	
.27/14.4	.29/14.1	.30/13.9	.32/13.7	.33/13.4	.34/12.8	.35/11.7	.34/10.8	.32/9.9	-	1234	2080	1/2	7704	
2159	2055	1946	1830	1701	1565	1419	1242	1022	-	1235	2120	1/2	7852	
.30/15.2	.32/15.0	.34/14.8	.35/14.5	.37/14.4	.38/14.0	.38/12.9	.38/11.9	.37/11.1	-	1236	2160	1/2	8000	
2219	2118	2012	1900	1777	1646	1509	1350	1151	579	1237	2200	1/2	8148	
.33/15.9	.35/15.7	.36/15.5	.38/15.3	.40/15.1	.41/15.0	.42/13.9	.42/12.9	.41/12.0	.32/10.3	1238	2240	1/2	8296	
2279	2181	2078	1970	1853	1726	1595	1451	1272	791	1239	2280	1/2	8444	
.35/16.7	.37/16.4	.39/16.2	.41/16.0	.43/15.8	.44/15.7	.45/14.8	.45/13.9	.45/13.0	.39/11.3	1240	2320	1/2	8592	
2339	2243	2144	2039	1927	1804	1679	1544	1385	961	1241	2360	1/2	8740	
.38/17.4	.40/17.2	.42/17.0	.44/16.8	.46/16.6	.47/16.4	.48/15.9	.49/14.8	.49/13.8	.45/12.2	1242	2400	1/2	8888	
2399	2306	2209	2108	2001	1882	1760	1633	1489	1109	1243	2440	1/2	9036	
.41/18.1	.43/17.9	.45/17.8	.47/17.6	.49/17.4	.51/17.2	.52/16.9	.52/15.9	.53/14.8	.50/13.1	1244	2480	1/2	9184	

Power Ratings (BHP) does not include drive losses.
 Performance certified is for installation type A - free inlet, free outlet.
 Performance ratings include the effects of birdscreen in the airstream.
 The sound ratings shown are loudness values in fan sones @ 5' (1.5m) in a hemispherical free field calculated per AMCA Standard 301. Values shown are for Installation Type A: free inlet hemispherical sone levels.



S&P Div. of Soler & Palau Ventilation Group, certifies that the Models DB shown herein are licensed to bear the AMCA Seal. The ratings shown are based on test and procedures performed in accordance with AMCA Publication 211 and AMCA Publication 311 and comply with the requirement of the AMCA Certified Ratings Program.

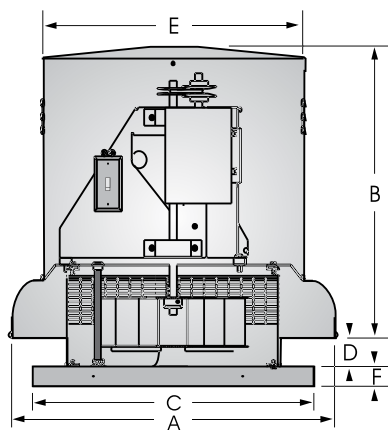




MODEL DB
BELT DRIVE CENTRIFUGAL ROOF EXHAUSTER



SIZE 14



Damper OD	Roof Opening	Curb OD	A	B	C	D	E	F	Fan Wt	Ship Wt
18	19-1/2	22-1/4	28-3/8	23	24	3-1/2	22-1/2	2	71	140

CFM / BHP @ Static Pressure / Sones											Drive Range	RPM	HP	Tip Speed	
0	1/8	1/4	3/8	1/2	5/8	3/4	7/8	1	1-1/4	Catalog Number					
996	514	-	-	-	-	-	-	-	-	1401	DP20	435	1/4	1732	
.02/2.3	.02/1.2	-	-	-	-	-	-	-	-	1402		475	1/4	1891	
1203	901	-	-	-	-	-	-	-	-	1403		525	1/4	2090	
.04/3.6	.04/2.7	-	-	-	-	-	-	-	-	1404		575	1/4	2289	
.05/4.3	.05/3.6	-	-	-	-	-	-	-	-	1405		625	1/4	2488	
1432	1206	791	-	-	-	-	-	-	-	1406		DP21	675	1/4	2687
.06/5.0	.07/4.5	.06/3.4	-	-	-	-	-	-	-	1407			725	1/4	2886
1546	1343	1018	-	-	-	-	-	-	-	1408		DP22	775	1/4	3085
.08/5.9	.08/5.4	.08/4.3	-	-	-	-	-	-	-	1409			825	1/4	3284
1661	1475	1213	-	-	-	-	-	-	-	1410		DP23	875	1/4	3483
.10/6.7	.10/6.2	.10/5.3	-	-	-	-	-	-	-	1411	925		1/4	3682	
1775	1604	1381	1017	-	-	-	-	-	-	1412	DP24	975	1/4	3881	
.12/7.4	.13/7.0	.13/6.3	.11/5.3	-	-	-	-	-	-	1413		1025	1/3	4080	
1890	1731	1535	1240	-	-	-	-	-	-	1414	DP25	1075	1/3	4279	
.15/8.2	.15/7.8	.15/7.3	.14/6.3	-	-	-	-	-	-	1415		1125	1/2	4478	
2004	1857	1680	1439	1065	-	-	-	-	-	1416	1175	1/2	4677		
.18/9.0	.18/8.6	.18/8.2	.18/7.2	.16/6.4	-	-	-	-	-	1417	1225	1/2	4876		
2119	1981	1819	1613	1311	-	-	-	-	-	1418	DP25	1260	3/4	5016	
.21/9.9	.21/9.5	.22/9.1	.21/8.3	.20/7.4	-	-	-	-	-	1419		1300	3/4	5175	
2233	2103	1953	1773	1525	1168	-	-	-	-	1420	1350	3/4	5374		
.24/10.9	.25/10.4	.25/10.0	.25/9.4	.24/8.5	.22/7.7	-	-	-	-	1421	1375	3/4	5473		
2348	2225	2085	1923	1714	1425	-	-	-	-	1422	1400	3/4	5573		
.28/11.8	.29/11.4	.29/11.0	.29/10.5	.29/9.6	.27/8.8	-	-	-	-						
2462	2346	2215	2067	1885	1642	1328	-	-	-						
.33/12.8	.33/12.4	.34/12.0	.34/11.7	.34/10.7	.32/9.9	.29/9.1	-	-	-						
2577	2466	2343	2206	2044	1840	1571	-	-	-						
.37/13.7	.38/13.4	.39/13.1	.39/12.6	.39/12.0	.38/11.1	.36/10.3	-	-	-						
2692	2586	2470	2341	2195	2018	1788	1510	-	-						
.42/14.8	.43/14.5	.44/14.1	.44/13.7	.44/13.2	.44/12.3	.42/11.5	.39/10.8	-	-						
2806	2705	2595	2474	2340	2183	1988	1740	1408	-						
.48/15.9	.49/15.5	.50/15.2	.50/14.8	.50/14.4	.50/13.6	.49/12.8	.46/12.0	.42/11.3	-						
2886	2788	2682	2566	2439	2292	2116	1893	1633	-						
.52/16.7	.53/16.3	.54/15.9	.55/15.6	.55/15.2	.54/14.5	.54/13.7	.52/12.9	.48/12.2	-						
2978	2883	2781	2670	2550	2414	2254	2058	1818	-						
.57/17.6	.58/17.2	.59/16.8	.60/16.5	.60/16.1	.60/15.5	.59/14.7	.58/13.9	.55/13.3	-						
3092	3001	2904	2799	2685	2560	2417	2247	2036	-						
.64/18.7	.65/18.3	.66/18.0	.67/17.6	.67/17.3	.67/16.9	.67/16.0	.66/15.3	.64/14.5	-						
3150	3060	2965	2862	2752	2632	2495	2335	2141	1621						
.68/19.3	.69/19.0	.70/18.6	.71/18.2	.71/17.8	.71/17.5	.71/16.7	.70/16.0	.68/15.2	.60/13.9						
3207	3119	3026	2926	2819	2703	2572	2420	2240	1782						
.72/19.9	.73/19.6	.74/19.2	.74/18.8	.75/18.5	.75/18.1	.75/17.4	.74/16.6	.72/15.9	.66/14.5						

Power Ratings (BHP) does not include drive losses.
 Performance certified is for installation type A - free inlet, free outlet.
 Performance ratings include the effects of birdscreen in the airstream.
 The sound ratings shown are loudness values in fan sones @ 5' (1.5m) in a hemispherical free field calculated per AMCA Standard 301. Values shown are for: Installation Type A: free inlet hemispherical sone levels.



S&P, Div. of Soler & Palau Ventilation Group, certifies that the Models DB shown herein are licensed to bear the AMCA Seal. The ratings shown are based on test and procedures performed in accordance with AMCA Publication 211 and AMCA Publication 311 and comply with the requirement of the AMCA Certified Ratings Program.

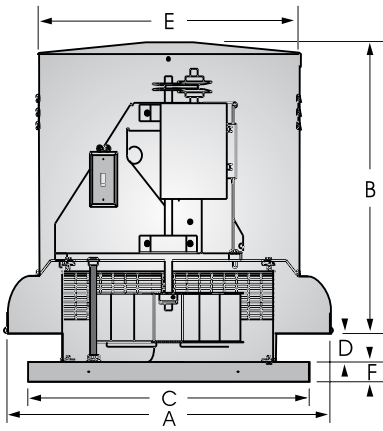




MODEL DB
BELT DRIVE CENTRIFUGAL ROOF EXHAUSTER



SIZE 16



Dimensional Data										
Damper OD	Roof Opening	Curb OD	A	B	C	D	E	F	Fan Wt	Ship Wt
18	19-1/2	22-1/4	32-1/4	24	24	6	26-1/4	2-1/2	79	145

CFM / BHP @ Static Pressure / Sones											Drive Range	RPM	HP	Tip Speed
0	1/8	1/4	3/8	1/2	5/8	3/4	7/8	1	1-1/4	Catalog Number				
1578	851	-	-	-	-	-	-	-	-	1601	DP26	425	1/4	2030
.04/2.9	.04/1.8	-	-	-	-	-	-	-	-	1602		465	1/4	2221
1726	1118	-	-	-	-	-	-	-	-	1603		505	1/4	2413
.05/3.6	.05/2.6	-	-	-	-	-	-	-	-	1604		545	1/4	2604
1875	1338	-	-	-	-	-	-	-	-	1605		585	1/4	2795
.06/4.3	.07/3.3	-	-	-	-	-	-	-	-	1606		625	1/4	2986
2023	1540	-	-	-	-	-	-	-	-	1607		665	1/4	3177
.07/5.0	.08/4.1	-	-	-	-	-	-	-	-	1608		705	1/4	3368
2172	1733	1065	-	-	-	-	-	-	-	1609		745	1/4	3559
.09/5.8	.10/4.9	.10/4.0	-	-	-	-	-	-	-	1610		785	1/4	3750
2320	1918	1378	-	-	-	-	-	-	-	1611	800	1/4	3822	
.11/6.5	.12/5.7	.12/4.8	-	-	-	-	-	-	-	1612	825	1/3	3941	
2469	2098	1624	-	-	-	-	-	-	-	1613	845	1/3	4037	
.13/7.2	.15/6.4	.15/5.6	-	-	-	-	-	-	-	1614	870	1/3	4156	
2617	2273	1844	1188	-	-	-	-	-	-	1615	900	1/2	4300	
.16/8.0	.17/7.2	.18/6.4	.17/6.2	-	-	-	-	-	-	1616	930	1/2	4430	
2766	2444	2050	1543	-	-	-	-	-	-	1617	960	1/2	4586	
.19/8.7	.20/7.9	.21/7.2	.21/6.5	-	-	-	-	-	-	1618	1000	1/2	4778	
2914	2612	2248	1814	984	-	-	-	-	-	1619	1060	3/4	5064	
.22/9.5	.24/8.7	.25/8.0	.25/7.4	.20/7.2	-	-	-	-	-	1620	1090	3/4	5207	
2970	2674	2320	1905	1205	-	-	-	-	-	1621	1120	3/4	5351	
.23/9.8	.25/9.0	.26/8.3	.26/7.7	.23/7.5	-	-	-	-	-	1622	1155	3/4	5518	
3063	2776	2440	2049	1484	-	-	-	-	-	1613	845	1/3	4037	
.26/10.3	.27/9.5	.29/8.8	.29/8.2	.27/7.7	-	-	-	-	-	1614	870	1/3	4156	
3137	2857	2533	2159	1663	-	-	-	-	-	1615	900	1/2	4300	
.28/10.7	.29/10.0	.31/9.2	.31/8.6	.30/8.1	-	-	-	-	-	1616	930	1/2	4430	
3230	2958	2649	2293	1853	965	-	-	-	-	1617	960	1/2	4586	
.30/11.2	.32/10.4	.33/9.8	.34/9.1	.34/8.6	.25/8.5	-	-	-	-	1618	1000	1/2	4778	
3341	3079	2786	2448	2054	1417	-	-	-	-	1619	1060	3/4	5064	
.33/11.9	.35/11.1	.37/10.4	.38/9.8	.37/9.3	.33/9.1	-	-	-	-	1620	1090	3/4	5207	
3453	3198	2920	2599	2236	1731	-	-	-	-	1621	1120	3/4	5351	
.37/12.5	.39/11.8	.40/11.1	.42/10.5	.42/9.9	.40/9.6	-	-	-	-	1622	1155	3/4	5518	
3564	3318	3053	2746	2407	1979	1181	-	-	-	1617	960	1/2	4586	
.40/13.2	.43/12.5	.44/11.8	.46/11.1	.46/10.7	.45/10.2	.36/9.9	-	-	-	1618	1000	1/2	4778	
3712	3476	3228	2939	2623	2256	1712	-	-	-	1619	1060	3/4	5064	
.46/14.0	.48/13.4	.50/12.7	.51/12.1	.52/11.5	.51/11.2	.48/11.0	-	-	-	1620	1090	3/4	5207	
3935	3711	3484	3219	2932	2617	2230	1615	-	-	1621	1120	3/4	5351	
.54/15.5	.57/14.8	.59/14.1	.60/13.6	.62/13.1	.62/12.6	.60/13.0	.54/12.8	-	-	1622	1155	3/4	5518	
4047	3829	3610	3356	3081	2783	2436	1950	1021	-	1621	1120	3/4	5351	
.59/16.2	.62/15.6	.64/15.0	.65/14.3	.67/13.8	.67/13.4	.66/13.6	.63/14.4	.45/14.2	-	1622	1155	3/4	5518	
4158	3946	3734	3492	3227	2943	2626	2217	1542	-	1621	1120	3/4	5351	
.64/17.0	.67/16.4	.69/15.8	.71/15.2	.72/14.6	.73/14.2	.72/14.3	.70/15.1	.60/14.9	-	1622	1155	3/4	5518	
4288	4082	3878	3648	3395	3125	2831	2480	1980	-	1622	1155	3/4	5518	
.70/17.9	.73/17.3	.75/16.7	.77/16.2	.79/15.7	.79/15.1	.79/15.0	.78/15.9	.73/15.9	-	1622	1155	3/4	5518	

Power Ratings (BHP) does not include drive losses.
 Performance certified is for installation type A - free inlet, free outlet.
 Performance ratings include the effects of birdscreen in the airstream.
 The sound ratings shown are loudness values in fan sones @ 5' (1.5m) in a hemispherical free field calculated per AMCA Standard 301. Values shown are for: Installation Type A: free inlet hemispherical sone levels.



S&P, Div. of Soler & Palau Ventilation Group, certifies that the Models DB shown herein are licensed to bear the AMCA Seal. The ratings shown are based on test and procedures performed in accordance with AMCA Publication 211 and AMCA Publication 311 and comply with the requirement of the AMCA Certified Ratings Program.

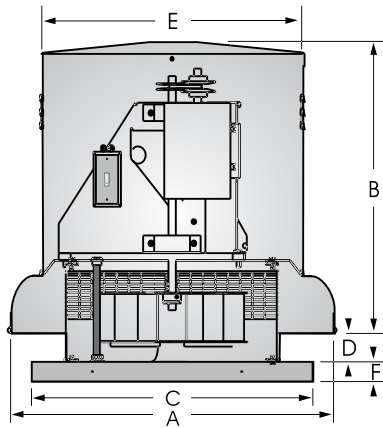




MODEL DB
BELT DRIVE CENTRIFUGAL ROOF EXHAUSTER



SIZE 18



Dimensional Data										
Damper OD	Roof Opening	Curb OD	A	B	C	D	E	F	Fan Wt	Ship Wt
24	24-3/4	27-3/4	32-1/4	24	29-1/2	4-1/2	26-1/4	2-1/2	96	160

CFM / BHP @ Static Pressure / Sones											Drive Range	RPM	HP	Tip Speed
0	1/8	1/4	3/8	1/2	5/8	3/4	7/8	1	1-1/4	Catalog Number				
2031	1663	1054	-	-	-	-	-	-	-	1801	DP32	535	1/4	2556
.09/6.4	.10/5.4	.08/5.6	-	-	-	-	-	-	-	1802		580	1/4	2771
2372	2077	1679	-	-	-	-	-	-	-	1803		625	1/4	2986
.15/8.3	.15/7.4	.15/6.5	-	-	-	-	-	-	-	1804		670	1/4	3201
2543	2274	1924	1431	-	-	-	-	-	-	1805		715	1/4	3416
.18/9.4	.19/8.5	.19/7.6	.17/7.8	-	-	-	-	-	-	1806		760	1/3	3631
2714	2465	2151	1740	-	-	-	-	-	-	1807		805	1/3	3846
.22/10.5	.23/9.6	.23/8.7	.22/9.0	-	-	-	-	-	-	1808		850	1/2	4061
2885	2653	2369	2024	1531	-	-	-	-	-	1809		895	1/2	4276
.26/11.5	.27/10.6	.27/9.8	.27/9.0	.24/8.8	-	-	-	-	-	1810		940	1/2	4491
3056	2838	2579	2274	1873	-	-	-	-	-	1811	DP34	985	3/4	4706
.31/12.5	.32/11.6	.33/10.8	.32/10.0	.30/9.8	-	-	-	-	-	1812		1030	3/4	4921
3226	3022	2785	2507	2168	1715	-	-	-	-	1813	DP36	1075	3/4	5136
.37/13.4	.38/12.7	.38/11.8	.38/11.1	.37/11.0	.34/10.8	-	-	-	-	1814		1120	1	5351
3397	3204	2986	2729	2437	2061	-	-	-	-	1815	DP37	1165	1	5566
.43/14.3	.44/13.6	.45/13.0	.45/12.3	.44/11.5	.42/11.3	-	-	-	-	1816		1210	1-1/2	5781
3568	3385	3183	2944	2681	2358	1965	-	-	-	1817	DP35	1255	1-1/2	5996
.50/15.5	.51/14.7	.52/14.0	.52/13.4	.51/12.9	.50/12.8	.46/12.6	-	-	-	1818		1300	1-1/2	6211
3739	3564	3375	3155	2912	2635	2288	1676	-	-	1819	DP33	1345	1-1/2	6426
.58/16.7	.59/16.0	.60/15.3	.60/14.6	.59/14.0	.58/13.5	.56/13.3	.47/13.1	-	-	1820		1390	2	6641
3910	3743	3565	3361	3135	2886	2585	2235	-	-	1821	DP31	1435	2	6856
.66/17.9	.67/17.2	.68/16.6	.68/15.9	.68/15.3	.67/14.7	.65/14.4	.62/14.1	-	-	1822		1480	2	7071
4080	3922	3752	3563	3351	3123	2863	2544	2167	-	1823	DP32	1435	2	6856
.75/19.1	.76/18.5	.77/17.8	.78/17.2	.77/16.6	.77/16.0	.76/15.5	.73/15.3	.68/15.1	-	1824		1480	2	7071
4251	4099	3938	3762	3562	3350	3117	2840	2524	-	1825	DP34	1435	2	6856
.85/21	.86/19.8	.87/19.1	.88/18.6	.88/18.0	.87/17.4	.86/16.9	.84/16.5	.81/16.1	-	1826		1435	2	6856
4422	4276	4123	3957	3770	3570	3356	3115	2824	-	1827	DP36	1435	2	6856
.95/22	.97/21	.98/21	.99/19.9	.99/19.3	.98/18.8	.98/18.2	.96/17.7	.93/17.3	-	1828		1435	2	6856
4593	4452	4306	4149	3975	3784	3585	3368	3116	2508	1829	DP37	1435	2	6856
1.07/23	1.08/23	1.10/22	1.10/21	1.11/21	1.10/20	1.10/19.6	1.09/19.1	1.07/18.7	.99/18.5	1830		1435	2	6856
4764	4628	4488	4339	4176	3995	3808	3607	3386	2841	1831	DP35	1435	2	6856
1.19/25	1.21/24	1.22/23	1.23/23	1.23/22	1.23/22	1.23/21	1.22/21	1.21/20	1.14/19.7	1832		1435	2	6856
4935	4804	4669	4527	4373	4204	4025	3837	3635	3140	1833	DP33	1435	2	6856
1.32/26	1.34/25	1.36/25	1.37/24	1.37/24	1.37/23	1.37/23	1.36/22	1.35/22	1.29/21	1834		1435	2	6856
5105	4979	4849	4713	4569	4408	4237	4061	3873	3434	1835	DP31	1435	2	6856
1.47/28	1.48/27	1.50/26	1.51/26	1.52/25	1.52/25	1.52/24	1.51/24	1.50/23	1.46/22	1836		1435	2	6856
5276	5154	5029	4898	4761	4610	4447	4279	4104	3709	1837	DP34	1435	2	6856
1.62/29	1.64/29	1.65/28	1.67/27	1.67/27	1.68/26	1.68/26	1.67/25	1.67/25	1.63/24	1838		1435	2	6856
5447	5329	5208	5082	4951	4809	4655	4493	4327	3964	1839	DP36	1435	2	6856
1.78/31	1.80/30	1.82/30	1.83/29	1.84/28	1.84/28	1.85/27	1.84/27	1.84/26	1.81/25	1840		1435	2	6856
5618	5504	5386	5265	5139	5005	4859	4704	4546	4206	1841	DP37	1435	2	6856
1.95/32	1.97/32	1.99/31	2.01/31	2.02/30	2.02/29	2.02/29	2.02/28	2.02/28	2.00/27	1842		1435	2	6856

Power Ratings (BHP) does not include drive losses.
 Performance certified is for installation type A - free inlet, free outlet.
 Performance ratings include the effects of birdscreen in the airstream.
 The sound ratings shown are loudness values in fan sones @ 5' (1.5m) in a hemispherical free field calculated per AMCA Standard 301. Values shown are for: Installation Type A: free inlet hemispherical sone levels.



S&P Div. of Soler & Palau Ventilation Group, certifies that the Models DB shown herein are licensed to bear the AMCA Seal. The ratings shown are based on test and procedures performed in accordance with AMCA Publication 211 and AMCA Publication 311 and comply with the requirement of the AMCA Certified Ratings Program.

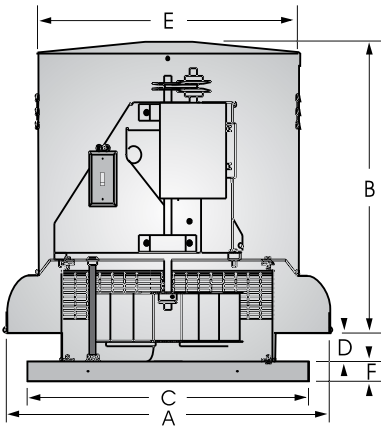




MODEL DB
BELT DRIVE CENTRIFUGAL ROOF EXHAUSTER



SIZE 20



Dimensional Data										
Damper OD	Roof Opening	Curb OD	A	B	C	D	E	F	Fan Wt	Ship Wt
24	24-3/4	27-3/4	36-3/4	24-1/2	29-1/2	4-1/2	26-1/4	2-1/2	98	215

CFM / BHP @ Static Pressure / Sones											Drive Range	RPM	HP	Tip Speed	
0	1/8	1/4	3/8	1/2	5/8	3/4	7/8	1	1-1/4	Catalog Number					
2357	1936	1151	-	-	-	-	-	-	-	2001	DP40	DP38	440	1/4	2460
.09/5.4	.10/3.9	.09/3.7	-	-	-	-	-	-	-	2002			480	1/4	2683
2785	2455	1982	1098	-	-	-	-	-	-	2003	DP40	DP39	520	1/4	2907
.15/7.0	.16/5.8	.16/5.1	.13/4.7	-	-	-	-	-	-	2004			560	1/4	3130
3214	2939	2586	2098	1259	-	-	-	-	-	2005	DP40	DP40	600	1/4	3354
.23/9.1	.25/8.2	.25/7.3	.25/6.9	.20/6.0	-	-	-	-	-	2006			635	1/3	3550
3401	3144	2822	2412	1799	-	-	-	-	-	2007	DP40	DP40	665	1/3	3717
.32/10.2	.33/9.4	.34/8.7	.35/8.2	.33/8.3	1281	-	-	-	-	2008			700	1/2	3913
3750	3520	3248	2923	2490	1880	-	-	-	-	2009	DP42	DP41	730	1/2	4081
.37/10.8	.38/10.1	.40/9.4	.40/9.0	.39/8.5	.35/8.2	-	-	-	-	2010			760	1/2	4248
3910	3691	3438	3134	2757	2251	1438	-	-	-	2011	DP42	DP43	800	3/4	4472
.42/11.6	.43/10.6	.45/10.0	.46/9.6	.45/9.2	.42/8.9	.35/8.7	-	-	-	2012			840	3/4	4696
4071	3861	3625	3338	3007	2567	1963	-	-	-	2013	DP42	DP43	875	3/4	4891
.47/12.3	.49/11.2	.51/10.7	.51/10.2	.52/9.9	.50/9.5	.45/9.3	-	-	-	2014			915	1	5115
4285	4087	3868	3604	3315	2942	2469	1784	-	-	2015	DP42	DP43	950	1	5311
.55/13.2	.57/12.3	.59/11.7	.60/11.2	.60/10.9	.59/10.5	.56/10.4	.49/10.3	-	-	2016			985	1	5506
4500	4311	4106	3866	3599	3283	2886	2379	1594	-	2017	DP42	DP43	1030	1-1/2	5758
.64/14.1	.66/13.4	.67/13.0	.69/12.5	.70/12.0	.70/11.6	.67/11.3	.62/11.1	.52/10.8	-	2018			1065	1-1/2	5953
4687	4506	4312	4091	3838	3560	3210	2787	2229	-	2019	DP42	DP43	1100	1-1/2	6149
.72/14.9	.74/14.4	.76/13.9	.78/13.5	.79/13.2	.79/12.7	.78/12.4	.74/12.3	.68/10.9	-	2020			1140	2	6373
4901	4729	4546	4341	4104	3854	3553	3191	2751	-	2021	DP42	DP43	1175	2	6568
.82/16.2	.84/15.7	.86/15.2	.88/14.7	.90/14.3	.90/14.0	.90/13.6	.88/13.4	.83/12.9	-	2022			1210	2	6764
5089	4923	4748	4557	4335	4098	3834	3511	3133	2017	2015	DP42	DP43	1175	2	6568
.92/17.3	.94/16.8	.96/16.4	.98/15.9	1.00/15.5	1.01/15.1	1.01/14.7	1.00/14.4	.96/13.9	.80/13.0	2016			1100	1-1/2	6149
5276	5117	4949	4768	4562	4336	4098	3811	3476	2589	2016	DP42	DP43	1140	2	6373
1.03/18.4	1.05/17.9	1.07/17.5	1.09/17.1	1.11/16.7	1.12/16.3	1.12/15.9	1.12/15.5	1.10/15.4	.98/15.1	2017			1065	1-1/2	5953
5517	5365	5206	5036	4847	4634	4416	4171	3879	3156	2017	DP42	DP43	1100	1-1/2	6149
1.17/19.9	1.20/19.4	1.22/19.0	1.24/18.5	1.26/18.1	1.28/17.8	1.28/17.4	1.28/17.1	1.28/16.8	1.19/16.7	2018			1065	1-1/2	5953
5705	5558	5405	5242	5065	4865	4655	4434	4173	3532	2018	DP42	DP43	1100	1-1/2	6149
1.30/21	1.32/21	1.35/20	1.37/19.8	1.39/19.4	1.41/19.0	1.42/18.6	1.42/18.3	1.42/18.0	1.36/17.8	2019			1140	2	6373
5892	5750	5602	5447	5280	5092	4889	4683	4451	3874	2019	DP42	DP43	1175	2	6568
1.43/22	1.45/22	1.48/22	1.50/21	1.53/21	1.55/20	1.56/19.9	1.56/19.5	1.56/19.2	1.53/19.1	2020			1140	2	6373
6107	5970	5828	5679	5521	5346	5154	4985	4751	4236	2020	DP42	DP43	1175	2	6568
1.59/24	1.62/24	1.64/23	1.67/23	1.69/22	1.71/22	1.73/21	1.74/21	1.74/21	1.73/20	2021			1175	2	6568
6294	6161	6024	5881	5730	5566	5384	5194	4999	4535	2021	DP42	DP43	1210	2	6764
1.74/25	1.77/25	1.80/24	1.82/24	1.85/24	1.87/23	1.89/23	1.90/22	1.91/22	1.90/21	2022			1210	2	6764
6482	6353	6220	6082	5937	5782	5610	5426	5241	4821	2022	DP42	DP43	1210	2	6764
1.90/27	1.93/26	1.96/26	1.98/25	2.01/25	2.04/25	2.06/24	2.07/24	2.08/24	2.08/24						

Power Ratings (BHP) does not include drive losses.
 Performance certified is for installation type A - free inlet, free outlet.
 Performance ratings include the effects of birdscreen in the airstream.
 The sound ratings shown are loudness values in fan sones @ 5' (1.5m) in a hemispherical free field calculated per AMCA Standard 301. Values shown are for Installation Type A: free inlet hemispherical sone levels.



S&P, Div. of Soler & Palau Ventilation Group, certifies that the Models DB shown herein are licensed to bear the AMCA Seal. The ratings shown are based on test and procedures performed in accordance with AMCA Publication 211 and AMCA Publication 311 and comply with the requirement of the AMCA Certified Ratings Program.

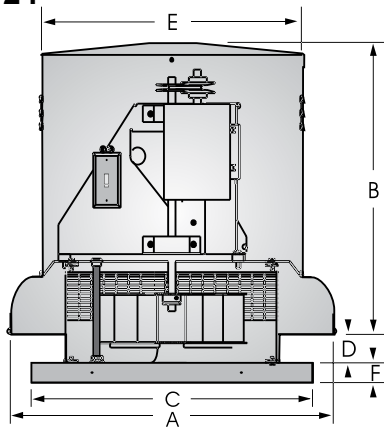




MODEL DB
BELT DRIVE CENTRIFUGAL ROOF EXHAUSTER



SIZE 24



Dimensional Data										
Damper OD	Roof Opening	Curb OD	A	B	C	D	E	F	Fan Wt	Ship Wt
30	30-3/4	33-3/4	41-1/4	26-1/2	35-3/4	8-1/2	30	2-1/2	155	290

CFM / BHP @ Static Pressure / Sones											Drive Range	RPM	HP	Tip Speed
0	1/8	1/4	3/8	1/2	5/8	3/4	7/8	1	1-1/4	Catalog Number				
3286	2405	-	-	-	-	-	-	-	-	2401	DP45	330	1/4	2102
.09/5.1	.10/3.9	-	-	-	-	-	-	-	-			365	1/4	2325
3634	2914	-	-	-	-	-	-	-	-	2402	DP46	400	1/4	2548
.12/6.1	.14/5.2	-	-	-	-	-	-	-	-			450	1/4	2867
3983	3364	1948	-	-	-	-	-	-	-	2403	DP47	470	1/3	2994
.16/7.2	.18/6.6	.15/4.8	-	-	-	-	-	-	-			490	1/3	3121
4480	3949	3090	-	-	-	-	-	-	-	2404	DP48	540	1/2	3440
.23/9.0	.25/8.4	.25/6.9	-	-	-	-	-	-	-			560	1/2	3567
4680	4176	3453	1852	-	-	-	-	-	-	2405	DP49	590	3/4	3758
.26/9.7	.28/9.2	.29/7.8	.22/6.8	-	-	-	-	-	-			610	3/4	3886
4879	4400	3751	2388	-	-	-	-	-	-	2406	DP50	645	3/4	4109
.30/10.2	.32/9.7	.33/8.6	.27/7.3	-	-	-	-	-	-			680	1	4332
5376	4952	4436	3483	2055	-	-	-	-	-	2407	DP51	710	1	4523
.40/11.7	.42/11.3	.44/10.8	.41/9.0	.32/8.6	-	-	-	-	-			750	1-1/2	4778
5576	5169	4688	3972	2614	-	-	-	-	-	2408	DP52	785	1-1/2	5000
.44/12.4	.47/11.9	.49/11.5	.48/9.8	.40/8.8	-	-	-	-	-			820	1-1/2	5223
5874	5493	5048	4447	3296	1791	-	-	-	-	2409	DP53	855	2	5446
.52/13.4	.55/12.9	.57/12.5	.57/11.2	.50/9.9	.38/9.8	-	-	-	-			900	2	5733
6073	5706	5282	4735	3702	2487	-	-	-	-	2410	DP54	925	3	5892
.57/14.2	.60/13.5	.63/13.2	.63/12.1	.57/10.6	.48/10.8	-	-	-	-			960	3	6115
6422	6078	5683	5219	4557	3374	1906	-	-	-	2411	DP55	980	3	6243
.68/15.6	.71/14.9	.74/14.3	.75/13.8	.73/12.2	.63/11.3	.49/11.1	-	-	-			1000	3	6370
6770	6447	6077	5670	5117	4097	3051	-	-	-	2412	DP56			
.80/17.0	.83/16.4	.86/15.9	.88/15.3	.87/14.0	.79/13.1	.70/12.4	-	-	-					
7069	6761	6412	6033	5549	4848	3773	2570	-	-	2413	DP57			
.91/18.3	.94/17.7	.97/17.2	.99/16.7	1.00/15.5	.96/14.6	.85/14.0	.72/13.8	-	-					
7467	7177	6854	6502	6096	5566	4594	3685	2423	-	2414	DP58			
1.07/20	1.10/19.5	1.14/19.0	1.16/18.5	1.18/17.9	1.17/16.7	1.07/16.0	.97/15.4	.80/15.3	-					
7816	7540	7235	6904	6545	6077	5479	4451	3518	-	2415	DP59			
1.22/22	1.26/21	1.30/21	1.33/20	1.35/19.7	1.35/18.6	1.32/17.8	1.18/17.2	1.07/16.6	-					
8164	7902	7613	7299	6968	6567	6073	5180	4360	-	2416	DP60			
1.40/23	1.43/23	1.47/22	1.51/22	1.53/21	1.54/21	1.53/19.7	1.42/19.0	1.31/18.4	-					
8513	8262	7988	7691	7380	7029	6587	6059	5077	3286	2417	DP61			
1.58/25	1.62/24	1.66/24	1.70/24	1.73/23	1.74/23	1.74/22	1.71/21	1.56/20	1.29/20					
8961	8723	8467	8190	7899	7590	7218	6775	6180	4490	2418	DP62			
1.85/27	1.89/27	1.93/26	1.97/26	2.00/26	2.03/25	2.04/24	2.02/24	1.97/23	1.69/22					
9210	8979	8731	8464	8182	7888	7550	7136	6665	5053	2419	DP63			
2.00/28	2.05/28	2.09/28	2.13/27	2.17/27	2.19/27	2.21/26	2.20/25	2.18/25	1.91/23					
9558	9337	9099	8846	8576	8299	7998	7631	7211	5760	2420	DP64			
2.24/30	2.28/30	2.33/29	2.37/29	2.41/28	2.44/28	2.47/28	2.47/27	2.46/26	2.22/25					
9757	9541	9309	9062	8800	8530	8243	7902	7503	6189	2421	DP65			
2.38/31	2.43/30	2.47/30	2.52/30	2.56/29	2.59/29	2.62/29	2.63/28	2.62/27	2.42/26					
9956	9744	9518	9278	9023	8760	8483	8166	7789	6753	2422	DP66			
2.53/31	2.58/31	2.63/31	2.67/30	2.71/30	2.75/30	2.78/30	2.79/29	2.79/28	2.67/27					

Power Ratings (BHP) does not include drive losses.
 Performance certified is for installation type A - free inlet, free outlet.
 Performance ratings include the effects of birdscreen in the airstream.
 The sound ratings shown are loudness values in fan sones @ 5' (1.5m) in a hemispherical free field calculated per AMCA Standard 301. Values shown are for: Installation Type A: free inlet hemispherical sone levels.



S&P, Div. of Soler & Palau Ventilation Group, certifies that the Models DB shown herein are licensed to bear the AMCA Seal. The ratings shown are based on test and procedures performed in accordance with AMCA Publication 211 and AMCA Publication 311 and comply with the requirement of the AMCA Certified Ratings Program.

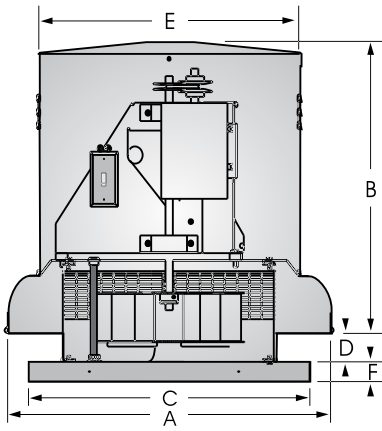




MODEL DB
BELT DRIVE CENTRIFUGAL ROOF EXHAUSTER



SIZE 30



Dimensional Data										
Damper OD	Roof Opening	Curb OD	A	B	C	D	E	F	Fan Wt	Ship Wt
36	37-1/4	40-3/4	58-3/8	37	42-1/2	5-1/2	41	2-1/2	265	465

CFM / BHP @ Static Pressure / Sones											Drive Range	RPM	HP	Tip Speed
0	1/8	1/4	3/8	1/2	5/8	3/4	7/8	1	1-1/4	Catalog Number				
4068	2456	-	-	-	-	-	-	-	-	3001	DP53	235	1/3	1871
.09/2.7	.09/2.5											265	1/3	2110
4588	3300	-	-	-	-	-	-	-	-	3002	DP54	295	1/3	2349
.13/3.4	.14/3.2											325	1/3	2588
5107	4015	1930	-	-	-	-	-	-	-	3003	DP55	355	1/3	2827
.18/4.2	.19/3.6	.15/3.4										385	1/2	3066
5626	4681	3220	-	-	-	-	-	-	-	3004	DP56	410	1/2	3265
.24/5.0	.26/4.1	.24/3.6										435	3/4	3464
6146	5311	4149	-	-	-	-	-	-	-	3005	DP57	465	3/4	3703
.32/5.8	.34/4.7	.33/5.0										490	1	3902
6665	5916	4921	3455	-	-	-	-	-	-	3006	DP58	515	1	4101
.40/6.6	.43/5.3	.43/6.2	.38/6.1									555	1-1/2	4419
7098	6406	5512	4350	2246	-	-	-	-	-	3007	DP59	590	1-1/2	4698
.49/7.3	.51/5.9	.52/6.6	.49/6.4	.38/6.8								625	2	4977
7531	6888	6081	5087	3601	-	-	-	-	-	3008	DP60	655	2	5215
.58/8.1	.61/6.7	.62/7.1	.60/7.0	.53/6.9								685	3	5454
8050	7456	6735	5866	4743	2961	-	-	-	-	3009	DP60	715	3	5693
.71/9.1	.74/7.6	.76/7.7	.75/8.5	.71/8.2	.59/8.1							745	3	5932
8483	7925	7262	6468	5528	4179	-	-	-	-	3010	DP60	770	5	6131
.83/9.8	.86/8.4	.89/8.2	.89/8.9	.85/8.8	.77/8.0							805	5	6410
8916	8388	7775	7047	6215	5132	3571	-	-	-	3011	DP60	840	5	6689
.97/10.6	1.00/9.2	1.03/8.7	1.03/9.4	1.01/9.2	.95/8.6	.82/8.8						875	5	6967
9608	9124	8574	7937	7213	6385	5286	3788	-	-	3012				
1.21/12.0	1.25/10.6	1.30/9.5	1.30/10.2	1.28/11.0	1.25/9.0	1.17/8.9	1.02/8.7							
10214	9761	9257	8683	8030	7315	6472	5352	3860	-	3013				
1.46/13.2	1.49/11.7	1.55/10.6	1.55/11.0	1.55/11.7	1.53/12.6	1.48/12.4	1.38/12.2	1.21/21.6						
10820	10395	9928	9405	8817	8171	7460	6604	5497	-	3014				
1.73/14.5	1.77/13.1	1.84/11.8	1.84/11.7	1.85/12.6	1.84/13.3	1.80/13.0	1.74/12.8	1.62/12.7						
11339	10936	10496	10010	9469	8871	8231	7507	6617	4024	3015				
1.99/15.6	2.03/14.2	2.07/13.1	2.10/12.6	2.13/13.2	2.12/14.0	2.10/14.8	2.05/14.6	196/14.0	1.61/13.8					
11859	11474	11058	10605	10104	9552	8960	8319	7584	5573	3016				
2.28/16.7	2.32/15.4	2.36/14.3	2.40/13.4	2.43/14.0	2.43/14.7	2.42/15.4	2.38/15.1	2.32/14.7	2.07/14.5					
12378	12011	11617	11190	10724	10213	9660	9076	8434	6767	3017				
2.59/17.9	2.64/16.5	2.68/15.4	2.72/14.4	2.75/14.8	2.77/15.4	2.76/16.1	2.73/16.9	2.69/16.8	2.49/17.9					
12897	12546	12171	11768	11332	10857	10343	9798	9220	7827	3018				
2.93/19.1	2.98/17.9	3.02/16.7	3.06/15.7	3.10/15.6	3.13/16.2	3.13/16.9	3.11/17.6	3.07/18.5	2.93/19.4					
13330	12991	12630	12245	11831	11383	10899	10381	9841	8602	3019				
3.24/20	3.29/18.9	3.33/17.8	3.37/16.8	3.41/16.4	3.45/16.9	3.46/17.6	3.45/18.3	3.42/19.1	3.31/19.8					
13936	13612	13270	12907	12520	12104	11657	11179	10676	9580	3020				
3.70/22	3.75/20	3.80/19.4	3.84/18.3	3.88/17.4	3.92/18.0	3.95/18.6	3.95/19.3	3.93/19.9	3.84/21					
14542	14232	13907	13563	13199	12811	12396	11954	11485	10487	3021				
4.20/23	4.26/22	4.31/21	4.35/19.9	4.40/19.0	4.44/19.1	4.48/19.6	4.49/20	4.48/21	4.41/22					
15148	14851	14540	14214	13871	13507	13120	12709	12273	11344	3022				
4.75/24	4.81/23	4.86/22	4.91/22	4.96/21	5.00/20	5.04/21	5.07/21	5.08/22	5.03/23					

Power Ratings (BHP) does not include drive losses.
Performance certified is for installation type A - free inlet, free outlet.
Performance ratings include the effects of birdscreen in the airstream.
The sound ratings shown are loudness values in fan sones @ 5' (1.5m) in a hemispherical free field calculated per AMCA Standard 301. Values shown are for Installation Type A: free inlet hemispherical sone levels.



S&P, Div. of Soler & Palau Ventilation Group, certifies that the Models DB shown herein are licensed to bear the AMCA Seal. The ratings shown are based on test and procedures performed in accordance with AMCA Publication 211 and AMCA Publication 311 and comply with the requirement of the AMCA Certified Ratings Program.

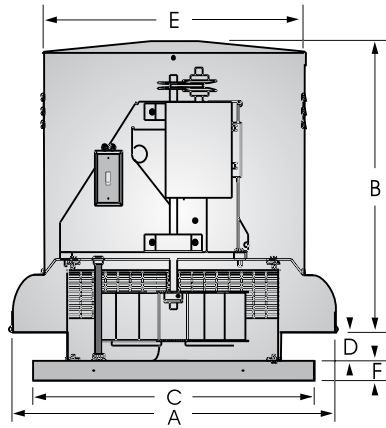




MODEL DB
BELT DRIVE CENTRIFUGAL ROOF EXHAUSTER



SIZE 36



Dimensional Data										
Damper OD	Roof Opening	Curb OD	A	B	C	D	E	F	Fan Wt	Ship Wt
36	37-1/4	40-3/4	58-3/8	37	42-1/2	10	41	2-1/2	275	475

CFM / BHP @ Static Pressure / Sones										Catalog Number	Drive Range	RPM	HP	Tip Speed
0	1/8	1/4	3/8	1/2	5/8	3/4	7/8	1	1-1/4					
5995	3550	-	-	-	-	-	-	-	-	3601	DP61	210	1/2	1945
.16/3.9	.14/3.0	-	-	-	-	-	-	-	-			235	1/2	2177
6708	4887	-	-	-	-	-	-	-	-	3602	DP62	260	1/2	2408
.22/4.9	.22/4.1	-	-	-	-	-	-	-	-			285	1/2	2640
7422	5964	-	-	-	-	-	-	-	-	3603	DP63	310	1/2	2871
.30/5.9	.31/5.2	-	-	-	-	-	-	-	-			330	3/4	3057
8136	6868	4443	-	-	-	-	-	-	-	3604	DP64	355	3/4	3288
.40/7.0	.42/6.4	.35/5.6	-	-	-	-	-	-	-			370	1	3427
8849	7708	5686	-	-	-	-	-	-	-	3605	DP65	385	1	3566
.51/8.2	.53/7.7	.48/6.8	-	-	-	-	-	-	-			400	1-1/2	3705
9420	8361	6793	4157	-	-	-	-	-	-	3606	DP66	415	1-1/2	3844
.62/9.2	.64/8.8	.62/8.0	.49/7.1	-	-	-	-	-	-			430	1-1/2	3983
10134	9166	7936	5730	-	-	-	-	-	-	3607	DP67	445	1-1/2	4122
.77/10.1	.80/9.7	.80/9.1	.68/8.3	-	-	-	-	-	-			470	2	4353
10562	9646	8521	6450	3321	-	-	-	-	-	3608	DP68	490	2	4539
.87/10.7	.90/10.3	.91/9.7	.80/8.9	.57/8.8	-	-	-	-	-			510	3	4724
10990	10122	9075	7268	5137	-	-	-	-	-	3609	DP69	535	3	4955
.98/11.3	1.02/10.8	1.02/10.3	.94/9.7	.80/9.0	-	-	-	-	-			560	3	5187
11418	10593	9607	8102	6133	-	-	-	-	-	3610	DP70	580	5	5372
1.10/11.9	1.14/11.4	1.15/10.9	1.09/10.3	.96/9.7	-	-	-	-	-			620	5	5742
11846	11060	10120	8852	6860	3994	-	-	-	-	3611	DP71	640	5	5928
1.23/12.6	1.27/12.0	1.28/11.6	1.25/10.9	1.10/10.4	.84/10.2	-	-	-	-			660	5	6113
12275	11524	10623	9521	7583	5709	-	-	-	-	3612	DP72			
1.37/13.3	1.41/12.8	1.43/12.2	1.41/11.6	1.26/11.1	1.11/10.5	-	-	-	-					
12703	11985	11118	10124	8417	6731	-	-	-	-	3613	DP73			
1.52/14.3	1.56/13.6	1.58/13.0	1.57/12.4	1.45/11.8	1.31/11.3	-	-	-	-					
13416	12747	11931	11059	9774	7958	6170	-	-	-	3614	DP74			
1.79/15.5	1.83/15.0	1.86/14.6	1.86/14.0	1.79/13.3	1.62/12.7	1.44/12.2	-	-	-					
13987	13351	12574	11770	10712	8982	7516	4507	-	-	3615	DP75			
2.03/16.7	2.08/16.2	2.10/15.7	2.11/15.2	2.08/14.6	1.90/14.1	1.76/13.5	1.34/13.2	-	-					
14558	13953	13218	12453	11540	10114	8485	6849	-	-	3616	DP76			
2.29/17.9	2.34/17.4	2.37/17.0	2.38/16.5	2.37/15.9	2.23/15.2	2.05/14.7	1.86/14.2	-	-					
15272	14701	14015	13287	12489	11391	9739	8401	6406	-	3617	DP77			
2.64/19.4	2.69/18.9	2.73/18.5	2.74/18.1	2.74/17.6	2.67/17.0	2.47/16.4	2.32/15.8	2.03/15.6	-					
15986	15445	14803	14106	13387	12494	11151	9603	8338	-	3618	DP78			
3.03/21	3.09/21	3.12/20	3.14/19.7	3.15/19.3	3.12/18.7	2.96/18.2	2.75/17.6	2.59/17.1	-					
16556	16038	15427	14754	14078	13283	12187	10640	9371	-	3619	DP79			
3.36/22	3.42/22	3.47/22	3.49/21	3.50/21	3.49/20	3.38/19.5	3.15/19.0	2.99/18.5	-					
17698	17218	16663	16040	15416	14752	13951	12842	11372	8936	3620	DP80			
4.11/25	4.17/25	4.22/24	4.25/24	4.27/24	4.28/23	4.25/23	4.10/22	3.85/21	3.47/20					
18269	17806	17275	16680	16072	15450	14727	13803	12509	10068	3621	DP81			
4.52/26	4.59/26	4.64/26	4.67/25	4.69/25	4.70/25	4.69/24	4.60/24	4.37/23	3.97/22					
18840	18393	17884	17315	16722	16130	15470	14678	13586	11030	3622	DP82			
4.96/28	5.03/27	5.08/27	5.12/27	5.14/27	5.16/26	5.15/26	5.11/25	4.93/25	4.46/23					

Power Ratings (BHP) does not include drive losses.
Performance certified is for installation type A - free inlet, free outlet.
Performance ratings include the effects of birdscreen in the airstream.
The sound ratings shown are loudness values in fan sones @ 5' (1.5m) in a hemispherical free field calculated per AMCA Standard 301. Values shown are for: Installation Type A: free inlet hemispherical sone levels.



S&P, Div. of Soler & Palau Ventilation Group, certifies that the Models DB shown herein are licensed to bear the AMCA Seal. The ratings shown are based on test and procedures performed in accordance with AMCA Publication 211 and AMCA Publication 311 and comply with the requirement of the AMCA Certified Ratings Program.

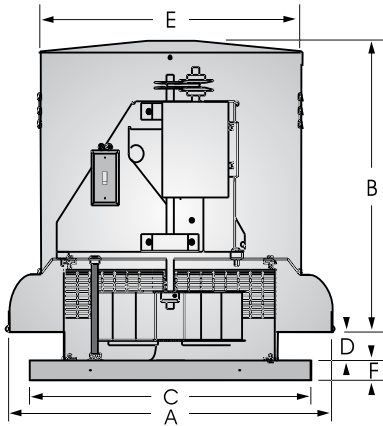




MODEL DB
BELT DRIVE CENTRIFUGAL ROOF EXHAUSTER



SIZE 42



Dimensional Data										
Damper OD	Roof Opening	Curb OD	A	B	C	D	E	F	Fan Wt	Ship Wt
48	50-1/4	53-1/4	73	40-1/2	55	10	54-5/8	2-1/2	425	700

CFM / BHP @ Static Pressure / Sones											Drive Range	RPM	HP	Tip Speed	
0	1/8	1/4	3/8	1/2	5/8	3/4	7/8	1	1-1/4	Catalog Number					
8498	4889	-	-	-	-	-	-	-	-	4201	DP68	180	1/2	1966	
.22/4.8	.20/4.4	-	-	-	-	-	-	-	-	4202		195	1/2	2129	
9206	6287	-	-	-	-	-	-	-	-	4203		210	1/2	2293	
.28/5.5	.28/5.1	-	-	-	-	-	-	-	-	4204		225	1/2	2457	
9914	7461	-	-	-	-	-	-	-	-	4205		240	1/2	2621	
.35/6.3	.36/5.9	-	-	-	-	-	-	-	-	4206		260	3/4	2839	
10622	8475	-	-	-	-	-	-	-	-	4207		275	3/4	3003	
.43/7.1	.45/6.8	-	-	-	-	-	-	-	-	4208		290	1	3167	
11330	9396	4910	-	-	-	-	-	-	-	4209		305	1	3331	
.52/7.9	.55/7.6	.40/7.4	-	-	-	-	-	-	-	4210		325	1-1/2	3549	
12275	10579	7451	-	-	-	-	-	-	-	4211	DP72	340	1-1/2	3713	
.66/9.0	.70/8.8	.62/8.6	-	-	-	-	-	-	-	4212		355	2	3877	
12983	11450	8825	-	-	-	-	-	-	-	4213		370	2	4040	
.78/9.8	.83/9.5	.78/9.2	-	-	-	-	-	-	-	4214		380	2	4150	
13691	12288	10034	4980	-	-	-	-	-	-	4215		DP73	400	3	4368
.92/10.5	.97/10.2	.94/9.9	.63/9.8	-	-	-	-	-	-	4216			425	3	4641
14399	13101	11116	7740	-	-	-	-	-	-	4217			435	5	4750
1.07/11.4	1.12/11.0	1.12/10.7	.95/10.5	-	-	-	-	-	-	4218			450	5	4914
15343	14142	12411	9744	-	-	-	-	-	-	4219			465	5	5078
1.29/12.7	1.35/12.3	1.36/11.9	1.25/11.7	-	-	-	-	-	-	4220			485	5	5296
16051	14909	13323	11079	7073	-	-	-	-	-	4221	DP74		500	5	5460
1.48/13.6	1.54/13.2	1.56/12.9	1.48/12.6	1.16/12.6	-	-	-	-	-	4222			505	5	5515
16760	15670	14209	12276	9251	-	-	-	-	-	4223					
1.68/14.6	1.75/14.3	1.78/13.9	1.73/13.6	1.51/13.5	-	-	-	-	-	4224					
17468	16424	15097	13368	10756	-	-	-	-	-	4225					
1.91/15.7	1.97/15.4	2.01/15.1	1.99/14.7	1.81/14.6	-	-	-	-	-	4226					
17940	16925	15681	14051	11690	7879	-	-	-	-	4227					
2.07/16.4	2.13/16.0	2.18/15.8	2.17/15.5	2.02/15.4	1.61/15.3	-	-	-	-	4228					
18884	17921	16818	15321	13399	10674	-	-	-	-	4229					
2.41/17.7	2.47/17.5	2.54/17.2	2.54/16.9	2.44/16.7	2.19/16.6	-	-	-	-	4230					
20064	19158	18187	16827	15279	13084	10122	-	-	-	4231					
2.89/19.6	2.96/19.4	3.04/19.1	3.05/18.9	3.01/18.6	2.82/18.5	2.46/18.5	-	-	-	4232					
20536	19650	18722	17415	15970	13969	11354	-	-	-	4233					
3.10/20	3.17/20	3.26/19.9	3.27/19.7	3.25/19.4	3.08/19.3	2.79/19.2	-	-	-	4234					
21245	20388	19503	18303	16950	15203	12874	9401	-	-	4235					
3.43/22	3.50/21	3.59/21	3.62/21	3.61/21	3.49/21	3.23/20	2.69/20	-	-	4236					
21953	21123	20276	19182	17883	16350	14281	11720	-	-	4237					
3.78/23	3.85/23	3.95/22	4.00/22	3.99/22	3.91/22	3.69/22	3.34/22	-	-	4238					
22897	22101	21297	20323	19089	17764	16014	13804	10779	-	4239					
4.29/24	4.36/24	4.47/24	4.53/24	4.53/24	4.50/24	4.33/23	4.04/23	3.51/23	-	4240					
23605	22832	22057	21158	19975	18753	17204	15217	12857	-	4241					
4.71/26	4.78/26	4.88/25	4.96/25	4.96/25	4.95/25	4.82/25	4.57/25	4.20/25	-	4242					
23841	23076	22309	21432	20267	19070	17584	15675	13399	-	4243					
4.85/26	4.92/26	5.02/26	5.11/26	5.11/25	5.11/25	4.99/25	4.75/25	4.40/25	-	4244					

Power Ratings (BHP) does not include drive losses.
Performance certified is for installation type A - free inlet, free outlet.
Performance ratings include the effects of birdscreen in the airstream.
The sound ratings shown are loudness values in fan sones @ 5' (1.5m) in a hemispherical free field calculated per AMCA Standard 301. Values shown are for: Installation Type A: free inlet hemispherical sone levels



S&P, Div. of Soler & Palau Ventilation Group, certifies that the Models DB shown herein are licensed to bear the AMCA Seal. The ratings shown are based on test and procedures performed in accordance with AMCA Publication 211 and AMCA Publication 311 and comply with the requirement of the AMCA Certified Ratings Program.

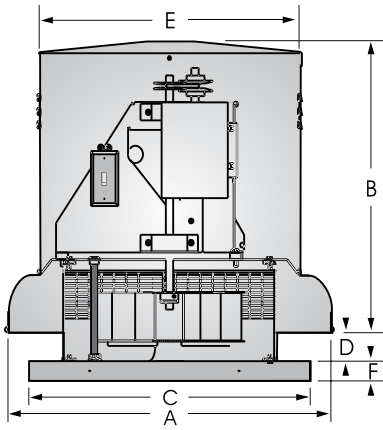




MODEL DB
BELT DRIVE CENTRIFUGAL ROOF EXHAUSTER



SIZE 48



Dimensional Data										
Damper OD	Roof Opening	Curb OD	A	B	C	D	E	F	Fan Wt	Ship Wt
48	50-1/4	53-1/4	73	40-1/2	55	113	54-5/8	2-1/2	550	830

CFM / BHP @ Static Pressure / Sones											Drive Range	RPM	HP	Tip Speed
0	1/8	1/4	3/8	1/2	5/8	3/4	7/8	1	1-1/4	Catalog Number				
9953	5916									4801	DP75	165	1/2	2037
0.34/4.5	0.29/4.5									4802		175	1/2	2161
11462	8336									4803	DP76	190	1/2	2347
0.52/5.9	0.49/5.7									4804		200	3/4	2470
13271	10719	6702								4805	DP77	220	3/4	2655
0.81/7.6	0.79/7.5	0.64/7.5								4806		230	1	2841
14478	12182	9095								4807	DP78	240	1	2964
1.06/8.9	1.04/8.8	0.93/8.6								4808		255	1-1/2	3149
15383	13243	10571	6153							4809	DP79	280	1-1/2	3335
1.27/9.6	1.25/9.6	1.16/9.3	0.9/9.6							4810		290	2	3582
16891	14963	12732	9568							4811	DP80	305	2	3705
1.68/10.9	1.67/10.9	1.59/10.6	1.4/10.8							4812		320	3	3952
17494	15638	13535	10717	6483						4813	DP81	325	3	4014
1.87/11.4	1.85/11.4	1.78/11.1	1.62/11.2	1.27/11.8						4814		345	3	4261
18399	16641	14696	12255	8622						4815	DP82	365	5	4508
2.17/12.2	2.16/12.2	2.1/12.0	1.95/12.1	1.65/12.6						4816		375	5	4631
19304	17632	15818	13645	10639	6682					4817	DP82	395	5	4878
2.51/13.1	2.5/13.1	2.44/13.0	2.32/12.9	2.06/13.4	1.66/13.7					4818		415	5	5310
19605	17961	16186	14085	11250	7354					4819	DP82	430	7-1/2	5434
2.63/13.4	2.62/13.4	2.56/13.4	2.44/13.3	2.21/13.7	1.8/14.1					4820		440	7-1/2	5619
20812	19267	17627	15762	13440	10204					4821	DP82	455	7-1/2	5804
3.14/14.9	3.14/14.9	3.09/14.9	2.98/14.7	2.79/14.8	2.44/15.3					4822		470	7-1/2	5990
22018	20560	19033	17344	15351	12772	9329								
3.72/16.5	3.72/16.5	3.67/16.5	3.58/16.3	3.42/16.2	3.14/16.6	2.7/17.0								
22622	21204	19726	18109	16240	13902	10767								
4.03/17.3	4.03/17.3	3.99/17.3	3.9/17.1	3.75/16.9	3.5/17.2	3.09/17.7								
23828	22483	21094	19600	17926	15941	13412	10186							
4.72/18.9	4.72/18.9	4.68/18.9	4.6/18.8	4.46/18.6	4.25/18.6	3.92/19.0	3.43/19.3							
25034	23755	22443	21051	19525	17782	15680	12999	9847						
5.47/21	5.47/21	5.44/21	5.36/21	5.24/20	5.06/20	4.79/20	4.37/21	3.83/21						
25939	24705	23445	22117	20682	19077	17201	14891	12003						
6.08/22	6.09/22	6.06/22	5.99/22	5.88/22	5.71/21	5.47/22	5.11/22	4.6/22						
26543	25337	24108	22820	21438	19909	18154	16042	13404						
6.52/23	6.52/23	6.49/23	6.43/23	6.32/23	6.16/22	5.94/22	5.61/23	5.14/23						
27447	26282	25097	23864	22551	21121	19514	17637	15351	9773					
7.21/25	7.21/25	7.19/25	7.13/25	7.03/24	6.88/24	6.67/24	6.38/24	5.98/24	4.83/25					
28352	27224	26081	24896	23645	22297	20809	19114	17107	11869					
7.94/26	7.95/26	7.93/26	7.87/26	7.78/26	7.64/25	7.45/25	7.19/25	6.83/25	5.73/26					

Power Ratings (BHP) does not include drive losses.
Performance certified is for installation type A - free inlet, free outlet.
Performance ratings include the effects of birdscreen in the airstream.
The sound ratings shown are loudness values in fan sones @ 5' (1.5m) in a hemispherical free field calculated per AMCA Standard 301. Values shown are for:
Installation Type A: free inlet hemispherical sone levels



S&P, Div. of Soler & Palau Ventilation Group, certifies that the Models DB shown herein are licensed to bear the AMCA Seal. The ratings shown are based on test and procedures performed in accordance with AMCA Publication 211 and AMCA Publication 311 and comply with the requirement of the AMCA Certified Ratings Program.

